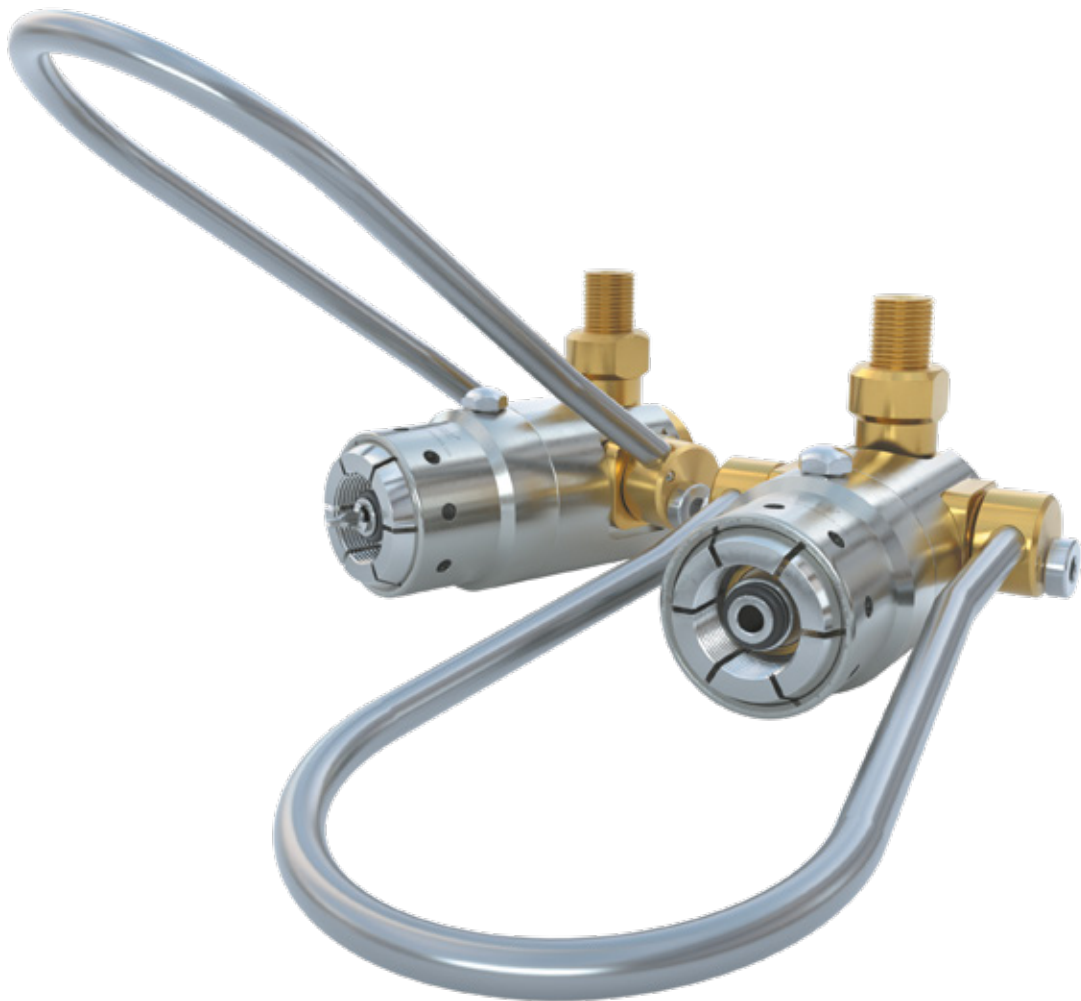


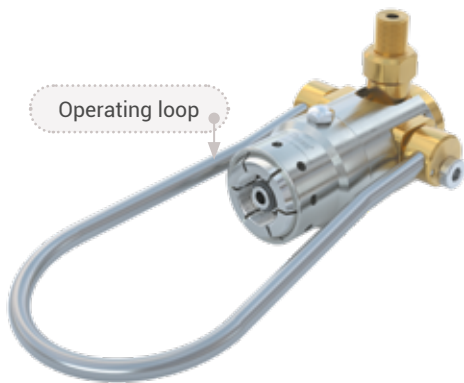
Type **TW57**

WEH[®] Quick connector for filling of gas cylinders
with male thread (with or without a residual pressure valve)



General

DESCRIPTION



Features

- For gas cylinders with male thread
- Version for cylinder valves **with or without a residual pressure valve**
- Connection in seconds
- No hand tightening required
- Easy to connect
- Right-hand and left-hand operation
- Suitable for pallet filling
- WEH® Jaw locking mechanism
- Compact design
- High-grade materials

The WEH® TW57 Quick connector for gas cylinder valves with male thread provides a pressure-tight connection in seconds. The split collet design system locks securely onto the cylinder valve thread and seals tightly.

Safety features

A fully developed design with simple actuation controlling the functioning of the gas connector. The quick connector cannot be disconnected under pressure because a special safety peg protrudes and locks the connector against removal.

The TW57 for oxygen has venting bores (see opposite picture) in the front sleeve for lateral venting of gas in case of accidental gas leakage, thus preventing pressure built-up in the connector.



TW57 with RPV pin and venting bores

The TW57 is suitable for gas cylinders with a nominal operating pressure of 200 bar resp. 300 bar.

This quick connector is available for gas cylinder valves acc. to DIN, BS, NF, CGA etc. Connectors for oxygen applications are oxygen cleaned and free of oil and grease.

Application

Quick connector for filling of gas cylinders with male thread (with or without a residual pressure valve).

TECHNICAL DATA

Characteristics	Basic version
Max. allowable operating pressure PS	250 bar resp. 375 bar
Temperature range	+5 °C up to +80 °C +5 °C up to +60 °C (O ₂)
Connection A	Male thread connection acc. to the corresponding national standard e.g. DIN, CEN, CGA, BS, NF etc.
Medium	Oxygen, nitrogen, CO ₂ , air, inert gases, medical gases
Actuation	Manual actuation via operating loop (loop depending on type of gas cylinder)
Material	Corrosion resistant stainless steel, brass
Sealing material	Acc. to gas type
Design	With or without RPV pin
Conformity / Tests / Approvals	Type approval for suitability against adiabatic compression available

Other designs on request

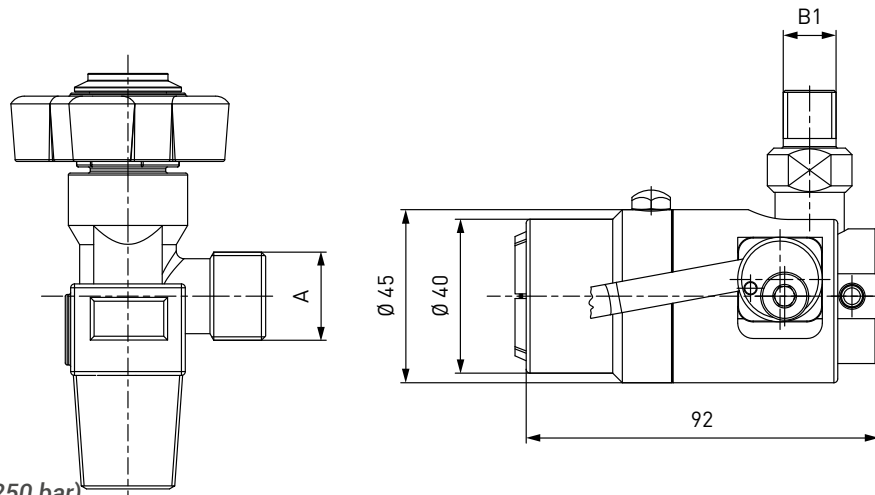
Example of use:



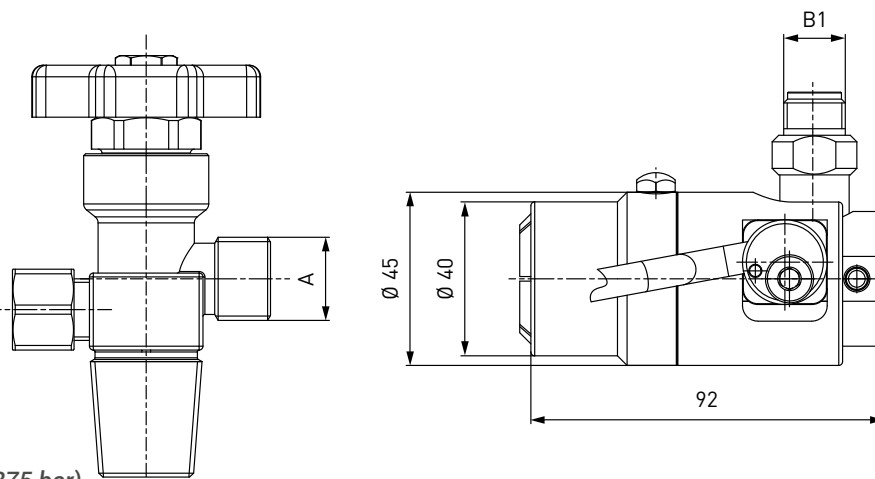
Ordering

ORDERING | WEH® TW57 Quick connector for non-residual pressure valves

approx. dimensions (mm)



Quick connector TW57 (PS = 250 bar)



Quick connector TW57 (PS = 375 bar)

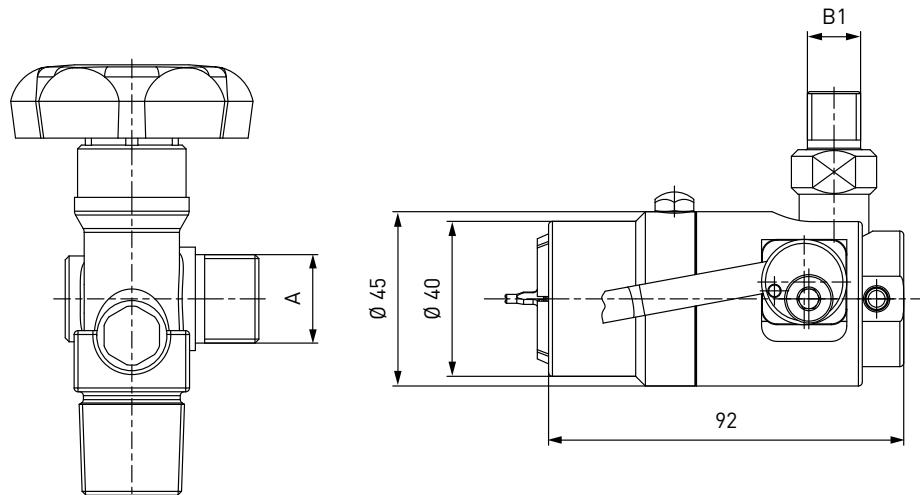


Part No.	Description	Pressure (PS)	A	B1 (male thread)
On request	TW57	250 bar	On request	On request
On request	TW57	375 bar	On request	On request

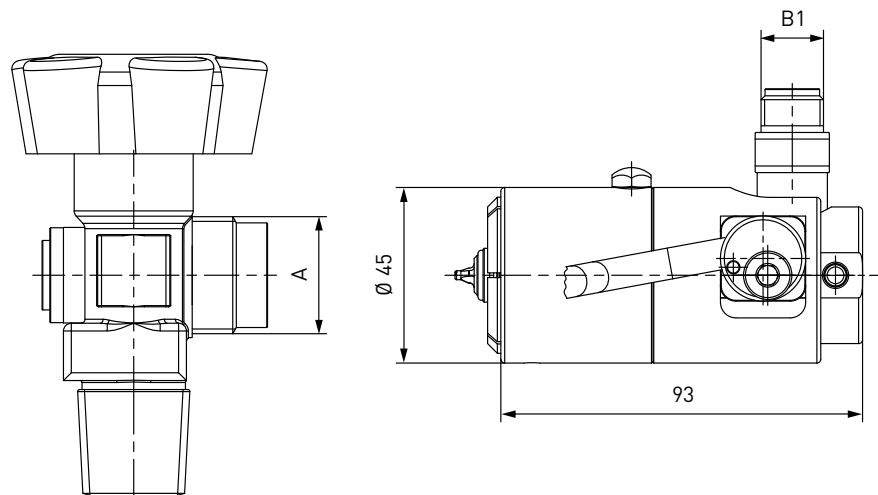
Ordering

ORDERING | WEH® TW57 Quick connector for residual pressure valves

approx. dimensions (mm)



Quick connector TW57 RPV (PS = 250 bar)



Quick connector TW57 RPV (PS = 375 bar)



Part No.	Description	Pressure (PS)	A	B1 (male thread)
On request	TW57	250 bar	On request	On request
On request	TW57	375 bar	On request	On request

Other connection sizes and types on request.

Required information for ordering see page 7, catalog no. 20.

Accessories

ACCESSORIES

The following accessories are available for the WEH® TW57 Quick connector:

WEH® TD1 Swivel joint

The WEH® TD1 prevents twisting of the filling hose and simplifies radial alignment of the connector.



Part no.	Description	B1	B2
On request	TD1	On request	On request

WEH® TK350-TN350 Quick release coupling

Quick release system for a quick and easy changeover of the WEH® TW57, whether for repair, to another type or a change from residual pressure to non-residual pressure cylinder valves.



Part no.	Description	B1 (male thread)	B2 (female thread)
C1-91239-X01	TK350 quick release coupling	-	M16x1.5
C1-91241-X01	TN350 quick release nipple	M16x1.5	-

WEH® THP40 Pressure hose

Pressure hose for connection of technical gas plants, such as gas filling plants, with WEH® Connectors.



Part no.	Description	B1	B2
On request	THP40	On request	On request

Actuations

For WEH® TW57 various actuations, e.g. loops, wire ropes, manual lever handles etc. are available in different sizes and forms. Please contact us!

Locking devices

Additional locking devices are also available for WEH® TW57. Please contact us!

Connection for pressure gauges

Quick connector incl. pressure gauge connection and venting valve for pressure monitoring of filled gas cylinders.



Part No.	Description
On request	TW57 incl. pressure gauge connection and venting valve

Accessories / Spare parts

Adaptors

Adaptors for connecting the quick connector to the filling hose are available on request.

Monel® construction

All pressurized parts are also available in Monel®. Please contact us!

SPARE PARTS

Various parts are available as spares for the WEH® TW57 Quick connector.

Part No.	Description
On request	Spare seals

Technical explanations

TECHNICAL EXPLANATIONS

Abbreviations/Definitions

For explanation of abbreviations and definitions of terms see applicable Technical Appendix of the corresponding catalog or www.weh.com

Illustrations

The illustrations and/or images used in these data sheet are particularly provided for illustrative purposes only and may differ in some details from the actual product. For binding information, please refer to your individual orders.

Safe product selection

Our WEH® Products are designed to be operated by qualified professional users (insofar as WEH® Products are also designed to be operated by other users in individual cases, this is explicitly stated in the corresponding operating instructions). Please note that WEH does not know your system and therefore - also due to the large number of different potential applications of WEH® Products - cannot perform tests on all potential types of application. You alone are responsible for the selection, configuration and suitability of WEH® Products, especially according to the requirements of your system. Before purchasing WEH® Products, please particularly ensure that our products are compatible with your intended use, your performance data, your material and fluids, your system concept and your system limits according to our product specifications. Please also consider your technical and legal requirements for operation, handling and maintenance. The quality and safety of WEH® Products is our highest priority. For this reason, WEH® Products may not be used outside the specifications in the relevant data sheets and product descriptions. If you are not sure whether the WEH® Product is suitable for your system and intended use, please contact us in advance. We also strongly recommend that you refrain from using third-party spare parts or a combination of WEH® Products with unsuitable third-party products. You alone are responsible for reviewing the suitability of third-party products. WEH® Products and WEH® Spare parts comply with our quality and safety standards.

Service life

WEH® Products are generally products which may be subject to wear and fatigue during operation and depending on your individual application/use. For details - in particular regarding the corresponding minimum inspection and maintenance intervals - please refer to the respective operating instructions for the WEH® Product.

Explanation on the Pressure Equipment Directive

These WEH® Products are generally classified as pressure accessories in accordance with Article 2 (5) of the Pressure Equipment Directive 2014/68/EU and are considered to be similar to piping. These WEH® Products may not be used as safety accessories. Furthermore, it is pointed out, that these WEH® Products are designed and placed on the market in accordance with the requirements of Article 4 (3) of the Pressure Equipment Directive 2014/68/EU. The assessment with regard to a different classification can, however, be made on request.

External change management

WEH reserves the right to update, optimise and adjust its products continuously. This may result in corresponding changes of the product. Customers will be informed proactively or unsolicited by WEH only in individual cases about product updates, product optimisations and/or product adaptations that have been carried out. You are free to contact WEH at any time to request information about any product updates, product optimisations and/or product adjustments.

© All rights reserved, WEH GmbH Verbindungstechnik.

Any unauthorized copying, distribution or other use of the copyrighted content is strictly forbidden without the written consent of WEH GmbH Verbindungstechnik.

Upon transmission of a newer version of this document, all previous versions are no longer valid. In principle, the latest version of the document is valid. This can be found at www.weh.com.

Our General Terms and Conditions and the Agreement on Protection of Know-How and Quality Assurance (www.weh.com) shall apply to deliveries and other services, unless expressly agreed otherwise.

We do not accept any General Terms and Conditions of the purchaser.

WEH® is a registered trademark of WEH GmbH Verbindungstechnik.

» Contact

More questions? – Great! Don't hesitate to contact our experts.

Manufacturer:

WEH GmbH Precision Connectors

Josef-Henle-Str. 1
89257 Illertissen / Germany

Phone: +49 7303 9609-0

E-Mail: sales@weh.com

Website: www.weh.com