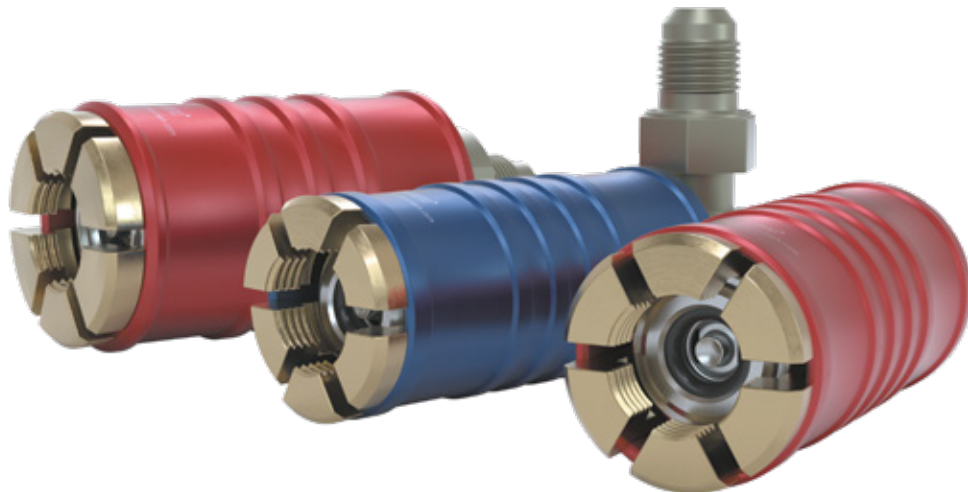


Type **TW111**

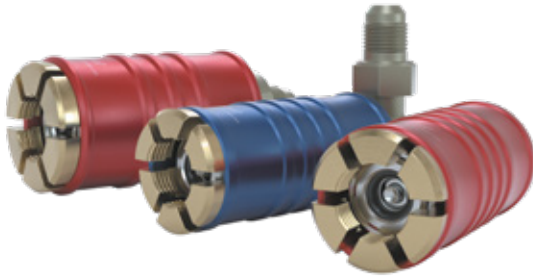
WEH[®] Quick connector for filling and evacuating refrigerants

of industrial refrigerating and air conditioning systems with Schrader valve acc. to SAE J513



General

DESCRIPTION



Features

- For connection to Schrader valves
- No frostbitten or burned hands
- 99 % less refrigerant loss
- Connection in seconds
- No hand tightening required
- WEH® Jaw locking mechanism
- Reduces connection times and costs
- Different versions available
- High-grade materials

The WEH® TW111 Quick connector is the ideal tool for filling and evacuating refrigerants when servicing refrigerating and air conditioning systems with Schrader valve (1/4" resp. 5/16" SAE tube connection). An integrated and flow-optimized shut-off valve minimizes the escape of refrigerant into the atmosphere, thus reducing refrigerant loss by up to 99 % compared to conventional screw connectors. This not only cuts costs but also protects the environment.

As with all WEH® Connectors, damage to tendons and joints caused by the continuous screwing and unscrewing of threaded connections is also eliminated with the TW111. Simply push the connector onto the Schrader valve and push the sliding sleeve forwards. A safe and pressure-tight connection is thus established in seconds. Not only does this make work significantly easier, connection times are also reduced, thus cutting costs.

The quick connector is rated for a max. operating pressure of 42 bar and suitable for filling a large variety of different refrigerants, for example R134A, R22 or R410A.

The TW111 is optionally available with an inline or 90° media inlet and with colour-coded sliding sleeves in red or blue for high pressure or low pressure connection ports on the customer's system.

The WEH® TW111 is equipped with a chloroprene front seal as standard. For filling of refrigerant R410A an EPDM front seal is used. Other sealing materials on request. It is the customer's responsibility to clarify the media compatibility.

Application

Quick connector for filling and evacuating refrigerants of industrial refrigerating and air conditioning systems with Schrader valve acc. to SAE J513.

TECHNICAL DATA

Characteristic	Basic version
Max. allowable operating pressure PS*	42 bar
Temperature range	-10 °C up to +80 °C
Leak rate	1 x 10 ⁻³ mbar x l/s
Actuation	Manual actuation via sliding sleeve
Material	Brass and anodized aluminium
Sealing material	Front seal of chloroprene resp. EPDM (R410A)
Design	With integrated shut-off valve

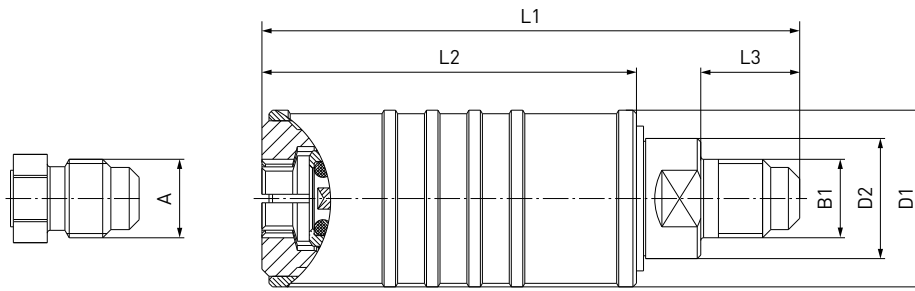
Example of use:



Ordering

ORDERING | WEH® TW111 Quick connector with inline media inlet

approx. dimensions (mm)

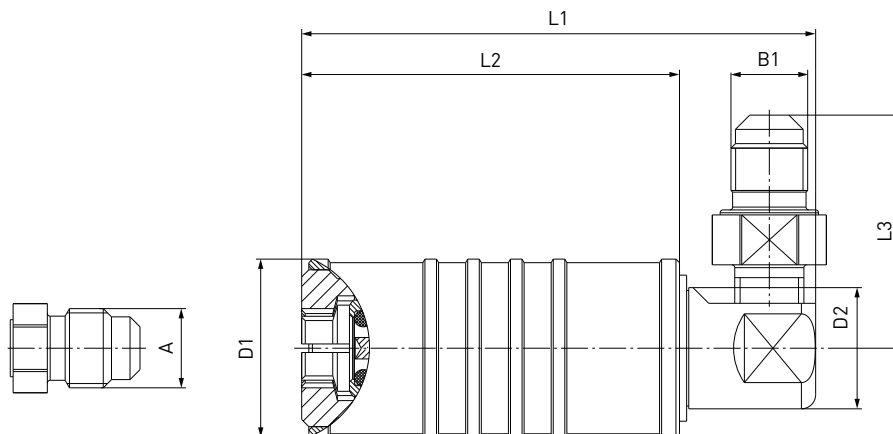


Part No.	Description	A (male thread)	B1 (male thread)	D1	D2	L1	L2	L3
C1-102991	TW111 - high pressure (red)	UNF 7/16"-20*	UNF 7/16"-20*	25	17	76	53	14
C1-102993	TW111 - low pressure (blue)	UNF 7/16"-20*	UNF 7/16"-20*	25	17	76	53	14

* acc. to SAE J513 (45°)

ORDERING | WEH® TW111 Quick connector with 90° media inlet

approx. dimensions (mm)



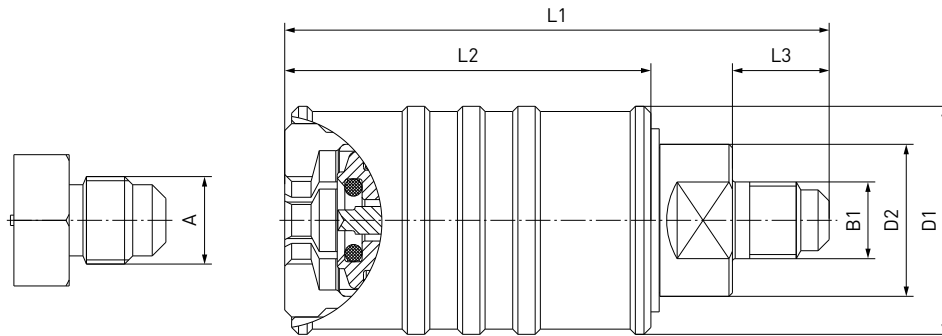
Part No.	Description	A (male thread)	B1 (male thread)	D1	D2	L1	L2	L3
C1-102992	TW111 - high pressure (red)	UNF 7/16"-20*	UNF 7/16"-20*	25	17	72	53	33
C1-102994	TW111 - low pressure (blue)	UNF 7/16"-20*	UNF 7/16"-20*	25	17	72	53	33

* acc. to SAE J513 (45°)

Ordering / Spare parts

ORDERING | WEH® TW111 Quick connector with inline media inlet, for R410A refrigerant

approx. dimensions (mm)



Part No.	Description	A (male thread)	B1 (male thread)	D1	D2	L1	L2	L3
C1-30291	TW111 - high pressure (red)	UNF 1/2"-20*	UNF 1/2"-20*	33	22	79	53	14
C1-30290	TW111 - low pressure (blue)	UNF 1/2"-20*	UNF 1/2"-20*	33	22	79	53	14
C1-34797	TW111 - high pressure (red)	UNF 1/2"-20*	UNF 7/16"-20*	33	22	79	53	14
C1-34796	TW111 - low pressure (blue)	UNF 1/2"-20*	UNF 7/16"-20*	33	22	79	53	14

* acc. to SAE J513 (45°)

Other connector sizes and versions on request.

Required information for ordering see page 7, catalog no. 40.

SPARE PARTS

Various parts are available as spares for the WEH® TW111 Quick connector.

Part No.	Description
On request	Front seal

When ordering the front seal, please indicate the part no. engraved on the connector.

Pro Set

TW111 PRO SET



CONTENT

WEH® TW111 - Set 1
Part no.: C1-161409

- A1** Quick connector TW111 with inline media inlet
- high pressure (red)
- low pressure (blue)
- B1** Front seal set (includes 5 front seals)
- C1** O-ring picker

WEH® TW111 - Set 2
Part no.: C1-161410

- A2** Quick connector TW111 with 90° media inlet
- high pressure (red)
- low pressure (blue)
- B2** Front seal set (includes 5 front seals)
- C2** O-ring picker

Technical explanations

TECHNICAL EXPLANATIONS

Abbreviations/Definitions

For explanation of abbreviations, definitions of terms and further explanations, see the applicable Technical Appendix of the corresponding catalog or visit www.weh.com

Illustrations

The illustrations and/or images used in these data sheet are particularly provided for illustrative purposes only and may differ in some details from the actual product. For binding information, please refer to your individual orders.

Safe product selection

Our WEH® Products are designed to be operated by qualified professional users (insofar as WEH® Products are also designed to be operated by other users in individual cases, this is explicitly stated in the corresponding operating instructions). Please note that WEH does not know your system and therefore - also due to the large number of different potential applications of WEH® Products - cannot perform tests on all potential types of application. You alone are responsible for the selection, configuration and suitability of WEH® Products, especially according to the requirements of your system. Before purchasing WEH® Products, please particularly ensure that our products are compatible with your intended use, your performance data, your material and fluids, your system concept and your system limits according to our product specifications. Please also consider your technical and legal requirements for operation, handling and maintenance. The quality and safety of WEH® Products is our highest priority. For this reason, WEH® Products may not be used outside the specifications in the relevant data sheets and product descriptions. If you are not sure whether the WEH® Product is suitable for your system and intended use, please contact us in advance. We also strongly recommend that you refrain from using third-party spare parts or a combination of WEH® Products with unsuitable third-party products. You alone are responsible for reviewing the suitability of third-party products. WEH® Products and WEH® Spare parts comply with our quality and safety standards.

Service life

WEH® Products are generally products which may be subject to wear and fatigue during operation and depending on your individual application/use. For details - in particular regarding the corresponding minimum inspection and maintenance intervals – please refer to the respective operating instructions for the WEH® Product.

Explanation on the Pressure Equipment Directive

These WEH® Products are generally classified as pressure accessories in accordance with Article 2 (5) of the Pressure Equipment Directive 2014/68/EU and are considered to be similar to piping. These WEH® Products may not be used as safety accessories. Furthermore, it is pointed out, that these WEH® Products are designed and placed on the market in accordance with the requirements of Article 4 (3) of the Pressure Equipment Directive 2014/68/EU. The assessment with regard to a different classification can, however, be made on request.

External change management

WEH reserves the right to update, optimise and adjust its products continuously. This may result in corresponding changes of the product. Customers will be informed proactively or unsolicited by WEH only in individual cases about product updates, product optimisations and/or product adaptations that have been carried out. You are free to contact WEH at any time to request information about any product updates, product optimisations and/or product adjustments.

© All rights reserved, WEH GmbH Verbindungstechnik.

Any unauthorized copying, distribution or other use of the copyrighted content is strictly forbidden without the written consent of WEH GmbH Verbindungstechnik.

Upon transmission of a newer version of this document, all previous versions are no longer valid. In principle, the latest version of the document is valid. This can be found at www.weh.com.

Our General Terms and Conditions and the Agreement on Protection of Know-How and Quality Assurance (www.weh.com) shall apply to deliveries and other services, unless expressly agreed otherwise.

We do not accept any General Terms and Conditions of the purchaser.

» Contact

More questions? – Great! Don't hesitate to contact our experts.

Manufacturer:

WEH GmbH Precision Connectors

Josef-Henle-Str. 1
89257 Illertissen / Germany

Phone: +49 7303 9609-0

E-Mail: sales@weh.com

Website: www.weh.com