

Type **TK350-TN350**

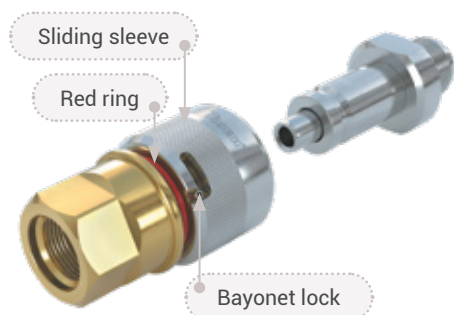
WEH[®] Quick release system

for fast and easy changing of WEH[®] Connectors



General

DESCRIPTION



Features

- Quick connector change
- Bayonet lock
- Suitable for inert gases and oxygen
- Can be used as swivel joint
- High-quality materials

Previously, when gas cylinders were filled with different cylinder valves, the filling hose had to be unscrewed each time from the quick connector and screwed onto a different connector. The quick release system has solved this problem. The WEH® TK350-TN350 Quick release system allows a quick change of a WEH® Connector for repairs or when changing to other cylinder valve standards. Changing from residual pressure to non-residual pressure connectors is also made much easier. An additional swivel joint is not required, as the quick release system can also be used for this purpose.

The quick release system consists of a WEH® TK350 Quick release coupling (without shut-off valve) for direct connection to the WEH® Connectors TW54, TW57 and TW67 and a WEH® TN350 Quick release nipple (without shut-off valve) for connection to the filling hose.

The TK350 quick release coupling is screwed directly onto the WEH® Connector and the corresponding TN350 quick release nipple is screwed to the filling hose. When changing to a different cylinder valve configuration, disconnect the TK350 and TN350 by unlocking the bayonet lock and pulling back the sliding sleeve of the TK350. The TN350 quick release nipple remains on the filling hose and is simply connected to another WEH® Connector, which is also equipped with a TK350 quick release coupling. This allows quick change from one system to another.

The WEH® TK350 Quick release coupling has a red ring as a visual check, which indicates whether the quick release coupling is connected correctly and a bayonet lock which prevents the coupling from disconnecting by itself.

The WEH® TK350-TN350 is equipped with a seal adapted to the medium. Other sealing materials are available on request. It is the customer's responsibility to clarify the media compatibility.

Application

Quick release system for fast and easy changing of WEH® Connectors for repairs, for changing to other standards and for changing from residual pressure to non-residual pressure connectors.

TECHNICAL DATA

Characteristics	Basic version
Nominal bore (DN)	5 mm
Max. allowable operating pressure PS	375 bar
Temperature range	+5 °C up to +80 °C +5 °C up to +60 °C (O ₂)
Leak rate	1 x 10 ⁻³ mbar x l/s
Medium	Inert gases and oxygen
Material	Corrosion resistant TK350: brass and stainless steel TN350: stainless steel
Sealing material	Depending on medium
Actuation	Manual actuation via sliding sleeve
Conformity / Tests / Approvals	Type approval for suitability against adiabatic compression available

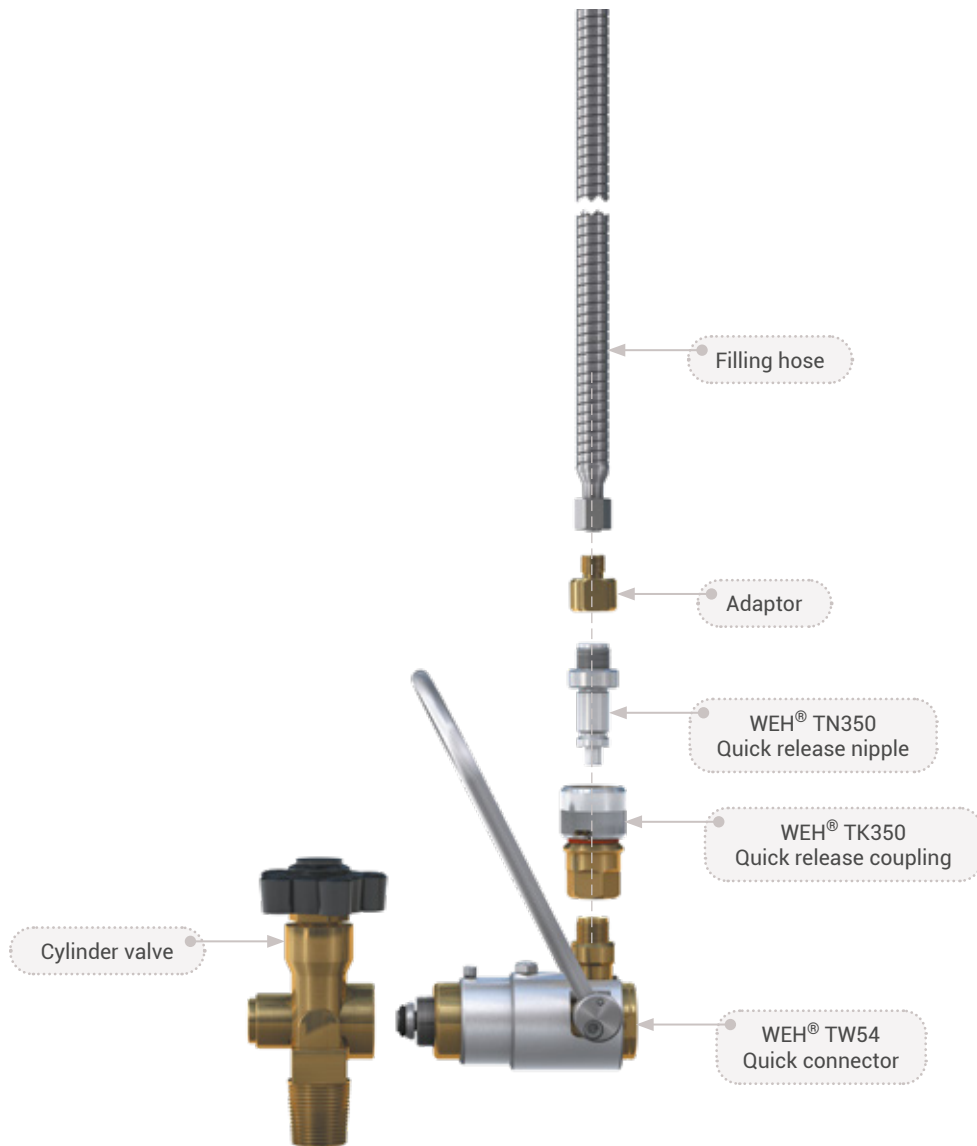
Other designs on request

Example of use:



System overview

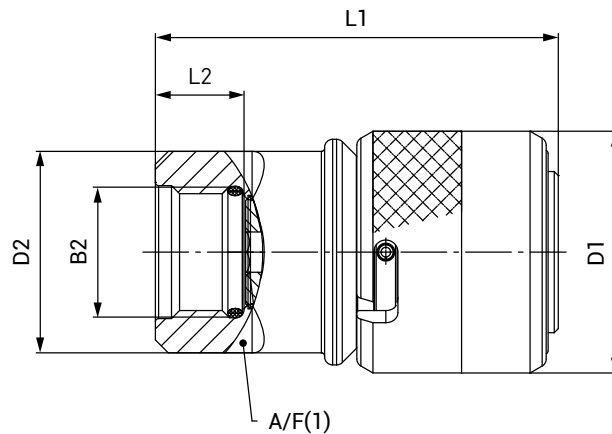
SYSTEM OVERVIEW



Ordering

ORDERING | WEH® TK350 Quick release coupling

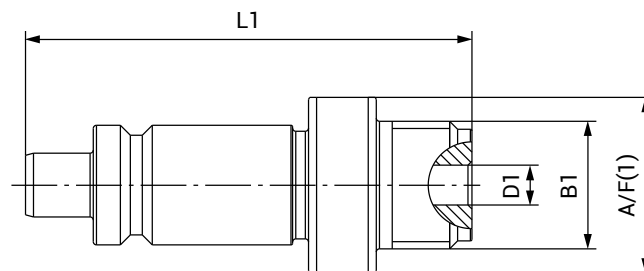
approx. dimensions (mm)



Part no.	Description	B2 (female thread)	L1	L2	D1	D2	A/F(1)
C1-91239-X01	TK350	M16x1.5	50	11	30	25	22

ORDERING | WEH® TN350 Quick release nipple

approx. dimensions (mm)



Part no.	Description	B1 (male thread)	L1	D1	A/F(1)
C1-91241-X01	TN350	M16x1.5	56	5	22

Other connection sizes and types on request.

Required information for ordering see page 7, catalog no. 20.

Accessories

ACCESSORIES

The following accessories are available for the WEH® TK350-TN350 Quick release system:

Adaptors

Adaptors for connecting the TN350 quick release nipple to the filling hose are available on request.

Monel® construction

All pressurized parts are also available in Monel®. Please contact us!

Technical explanations

TECHNICAL EXPLANATIONS

Abbreviations/Definitions

For explanation of abbreviations, definitions of terms and further explanations, see the applicable Technical Appendix of the corresponding catalog or visit www.weh.com

Illustrations

The illustrations and/or images used in these data sheet are particularly provided for illustrative purposes only and may differ in some details from the actual product. For binding information, please refer to your individual orders.

Safe product selection

Our WEH® Products are designed to be operated by qualified professional users (insofar as WEH® Products are also designed to be operated by other users in individual cases, this is explicitly stated in the corresponding operating instructions). Please note that WEH does not know your system and therefore - also due to the large number of different potential applications of WEH® Products - cannot perform tests on all potential types of application. You alone are responsible for the selection, configuration and suitability of WEH® Products, especially according to the requirements of your system. Before purchasing WEH® Products, please particularly ensure that our products are compatible with your intended use, your performance data, your material and fluids, your system concept and your system limits according to our product specifications. Please also consider your technical and legal requirements for operation, handling and maintenance. The quality and safety of WEH® Products is our highest priority. For this reason, WEH® Products may not be used outside the specifications in the relevant data sheets and product descriptions. If you are not sure whether the WEH® Product is suitable for your system and intended use, please contact us in advance. We also strongly recommend that you refrain from using third-party spare parts or a combination of WEH® Products with unsuitable third-party products. You alone are responsible for reviewing the suitability of third-party products. WEH® Products and WEH® Spare parts comply with our quality and safety standards.

Service life

WEH® Products are generally products which may be subject to wear and fatigue during operation and depending on your individual application/use. For details - in particular regarding the corresponding minimum inspection and maintenance intervals – please refer to the respective operating instructions for the WEH® Product.

Explanation on the Pressure Equipment Directive

These WEH® Products are generally classified as pressure accessories in accordance with Article 2 (5) of the Pressure Equipment Directive 2014/68/EU and are considered to be similar to piping. These WEH® Products may not be used as safety accessories. Furthermore, it is pointed out, that these WEH® Products are designed and placed on the market in accordance with the requirements of Article 4 (3) of the Pressure Equipment Directive 2014/68/EU. The assessment with regard to a different classification can, however, be made on request.

External change management

WEH reserves the right to update, optimise and adjust its products continuously. This may result in corresponding changes of the product. Customers will be informed proactively or unsolicited by WEH only in individual cases about product updates, product optimisations and/or product adaptations that have been carried out. You are free to contact WEH at any time to request information about any product updates, product optimisations and/or product adjustments.

© All rights reserved, WEH GmbH Verbindungstechnik.

Any unauthorized copying, distribution or other use of the copyrighted content is strictly forbidden without the written consent of WEH GmbH Verbindungstechnik.

Upon transmission of a newer version of this document, all previous versions are no longer valid. In principle, the latest version of the document is valid. This can be found at www.weh.com.

Our General Terms and Conditions and the Agreement on Protection of Know-How and Quality Assurance (www.weh.com) shall apply to deliveries and other services, unless expressly agreed otherwise.

We do not accept any General Terms and Conditions of the purchaser.

» Contact

More questions? – Great! Don't hesitate to contact our experts.

Manufacturer:

WEH GmbH Precision Connectors

Josef-Henle-Str. 1
89257 Illertissen / Germany

Phone: +49 7303 9609-0

E-Mail: sales@weh.com

Website: www.weh.com